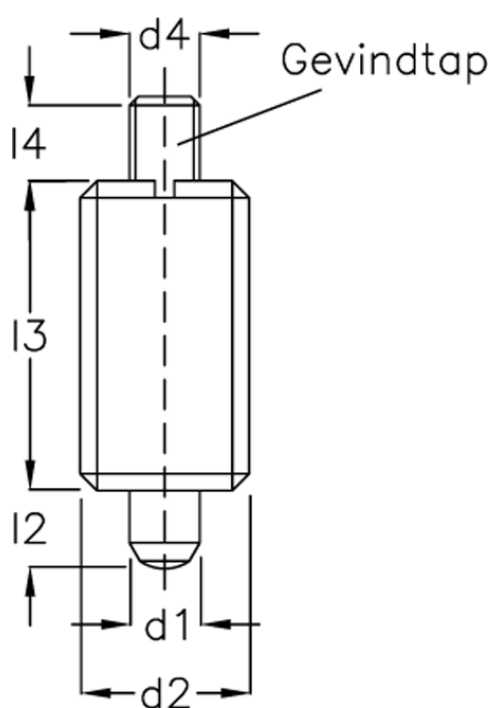


Article number: 208910011

Description: E+G indexing plunger  
GN 613-5-G-NI, nickel plated plunger

## Measures

Type G



d1	= 5
d2	= M10x1
d4	= M 5
l2	= 5
l3	= 22
l4	= 6
Screwdriver	= GN613.1-5
Spring pressure N bottom	= 15

Spring pressure N top = 6